



WP-C

Woltman water meter

This type of water meter is used for measuring total flow of cold water for industry, irrigation and water supply facilities

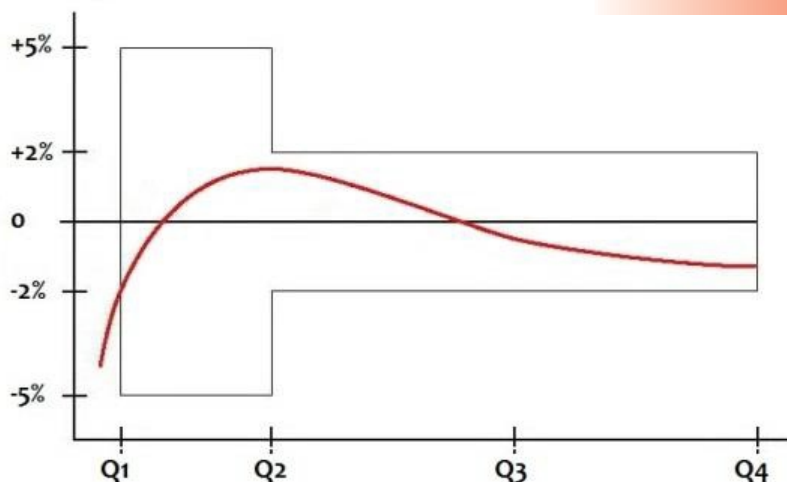
DESCRIPTION

INSA WP-C is TURBINE Woltman water meter with magnetic transmission, super dry type register for Industrial and Irrigation application, has sizes from Dn50 to Dn200, designed by INSA and meets the requirements of Directive 2014/32/EU on measuring instruments (MID) and of European standard EN14154.

CHARACTERISTICS:

- The high technology of Hydraulic Dynamic Balance for the Turbine at horizontal direction for long working life;
- Double rectifier for stable water flow;
- All the materials in contact with water, consciously selected by the known resistance to corrosion;
- Ductile Iron body with inside and outside epoxy coating for protecting the corrosion;
- The **ROTATING** indicator register for the most comfortable reading position;
- The copper cansuper dryindicatorregister with IP68 protectionfor most reliable;
- The interchangeable, removable measuring mechanism can be easy removed from the body for checking, maintaining and replacing, no needs to dismantle the body form the pipe;
- Suitable for any position installationincluding Horizontal, Vertical and Inclined;
- Low pressure loss;
- No effected by external magnetic fields;

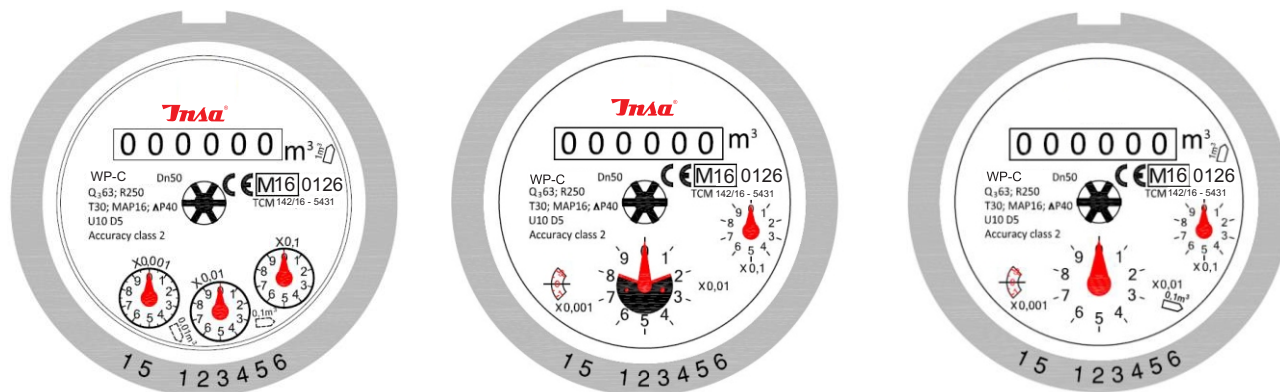
MEASUREMENT ERROR CURVE



MAX. PERMISSION ERROR:

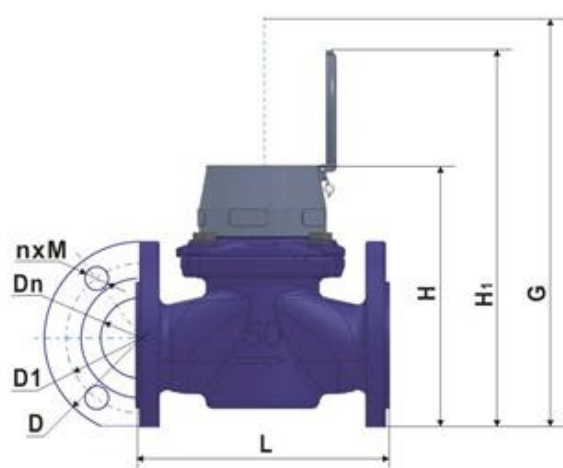
From Q1 inclusive up to but excluding Q2 is $\pm 5\%$;
From Q2 inclusive up to and including Q4 is $\pm 2\%$ for T30 and $\pm 3\%$ for T50;

DIAL PLATE DESIGN



EU-TYPE EXAMINATION CERTIFICATE number: TCM 142/16-5431

DIMENSIONS



The Flange Standard under ISO 7005 - 2:1998(E) PN16 as:

Dn	50	65	80	100	125	150	200
L	200	200	225	250	250	300	350
H	225	235	245	265	280	320	380
H1	310	325	330	350	365	410	465
G	335	350	365	400	415	515	625
D	165	185	200	220	250	285	340
D1	125	145	160	180	210	240	295
nXM	4xM16		8xM16			8XM20	12XM20

*Different Flange Standard for selecting such as: ISO 7005-2: 1998(E) PN10, ASME B16.1-Class 125 working for B16.5-Class 150...

TECHNICAL DATA

Size		50	65	80	100	125	150	200	
R=Q3/Q1		200	200	200	200	200	250	250	
Q4	m ³ /h	78,75	125	125	200	312,5	500	787,5	
Q3	m ³ /h	63	100	100	160	250	400	630	
Q2	m ³ /h	0,504	0,80	0,80	1,28	2,0	3,2	5,04	
Q1	m ³ /h	0,315	0,5	0,5	0,80	1,25	2	3,15	
Max. Reading	m ³	999999,999						9999999,99	
Min. Reading	m ³	0,0005						0,005	
Pressure Loss	ΔP	63							
Max. Pressure	MAP	MAP16							
Max. Temperature	°C	T30 or T50							

INSTALATION REQUIREMENTS

- WP-C Woltaman water meter can be installed in any position including Horizontal, Vertical and Inclined with the direction of the flow as indicated by the arrow cast on the meter body;
- WP-C Woltaman water meter needs to have 5 diameters straight pipe ahead of the meter and 3 diameters straight pipe after to insure proper flow through the meter;
- Pipeline must be flushed before installation;
- The meter should be constantly full of water during operation;
- INSA suggestion is to install the FILTER before the water meter;

A.D. INSA - MANUFACTURER OF MEASUREMENT INSTRUMENTS

Tršćanska 21
11080 Belgrade - Zemun
Republic of Serbia



Fax:

E-mail:

+ 381 (11) 3713 - 600
+ 381 (11) 3713 - 607
+ 381 (11) 2614 - 330
office@insa.rs
info@insa.rs

www.insa.rs