

VVS PLUS

Multi-Jet Dry Type (Velocity)



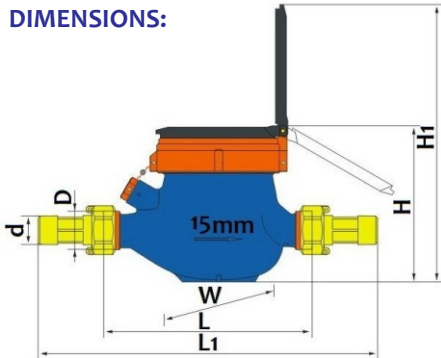
INSA **VVS PLUS** is IMPELLER (turbine) water meter with magnetic transmission, dry type register for residential application with sizes from Dn15 to Dn50 designed and manufacture by INSA and meets to the requirements of Directive 2014/32/EU on measuring instruments; the European Standard **EN14154+A1+A2: Water Meter**; the International Organization of Legal Metrology **OIML R-49: 2006(E): Water meters intended for the metering of cold potable water and hot water.**

CHARACTERICS:

- All the Materials in contact with water, consciously selected by the known resistance to corrosion;
- Cold water meter under current standard for lower than 30°C (T30), but INSA **VVS PLUS** can be used safely in water temperature up to 50°C (T50);
- The indicator register is of 5 Rollers and 4 Pointers; the register with 7 Rollers and 2 Pointers as option
- The Impeller is the only moving parts in contact with water permitting the most reliable;
- The inlet filter at the inlet of the meter body permits cleaning it without breaking the metrological seal;
- The conception of the Magnetic Protection to against the external influences;
- The highest sensitivity dry type water meter;
- Non Return Valve to avoid the reserve flow Rate **AS OPTION**;

MID APPROVAL:
CE M 0126
TCM142/17-5447

M _ : _ is the manufacture year, with "13", the manufacture year of the water meter is 2013

DIMENSIONS:


Size	Dn15	Dn20	Dn25	Dn32	Dn40	Dn50
L	165	190	260	260	300	300
L1	259	294	380	384	431	448
D	G3/4B	G1B	G1-1/4B	G1-1/2B	G2B	G2-1/2B
d	R1/2	R3/4	R1	R1-1/4	R1-1/2	R2
H	107.5	107.5	117.5	117.5	141.5	177
H1	191	191	206.5	206.5	256.5	292
W	94	94	98	98	122	145

L1: the total length with connection and the gasket without compression.

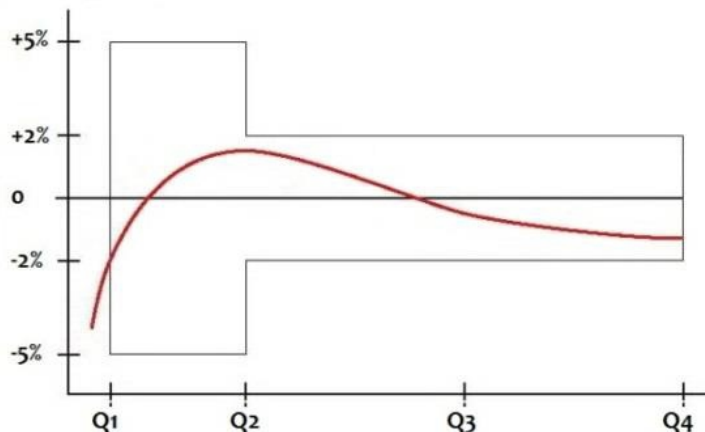
MAIN TECHNICAL DATA:

Size	mm	Dn15	Dn20	Dn25	Dn32	Dn40	Dn50
R	Q3/Q1	R160 for Horizontal installation					
Q4	m ³ /h	3,125	5	7,875	12,5	20	31,25
Q3	m ³ /h	2,5	4	6,3	10	16	25
Q2	l/h	25	40	63	100	160	250
Q1	l/h	15,625	25	39,375	62,5	100	156,25
Max. Reading	m ³	99999.9999				999999.9999	
Min. Reading	Liter	0.05					
Pressure Loss	ΔP	ΔP<63 at Q3					
Max. Pressure	MAP	MAP16					
Max. Temperature	°C	T30 or T50					

MAX. PERMISSION ERROR:

From Q1 inclusive up to but excluding Q2 is ±5%;

From Q2 inclusive up to and including Q4 is ±2% for T30 and ±3% for T50.



A.D. INSA - INDUSTRIJA SATOVA
 Trščanska 21,
 11080 Zemun
 Republika Srbija



Fax:

E-mail:

+ 381 (11) 3713 - 600

+ 381 (11) 3713 - 607

+ 381 (11) 2614 - 330

office@insa.rs

info@insa.rs