



WPI Woltman horizontal water meter

Compliant according to standard: ISO 4064 Class B

This class of meter is used for measuring the total flow of cold water entering industrial size compounds and other large plants.

MAIN CHARACTERISTIC

- Dry mechanism with magnetic transmission.
- Vacumed dial eliminates fogging, wich makes reading much easier.
- For permanent and reliable operation,high quality materials are used in production.
- The accuracy of measurement is in compliance with ISO 4064 standard, Class B.
- Minimal registry loss on minimum flow.
- The Universal register can be removed without removing the meter from the pipeline, which enables very easy maintance and replacement.

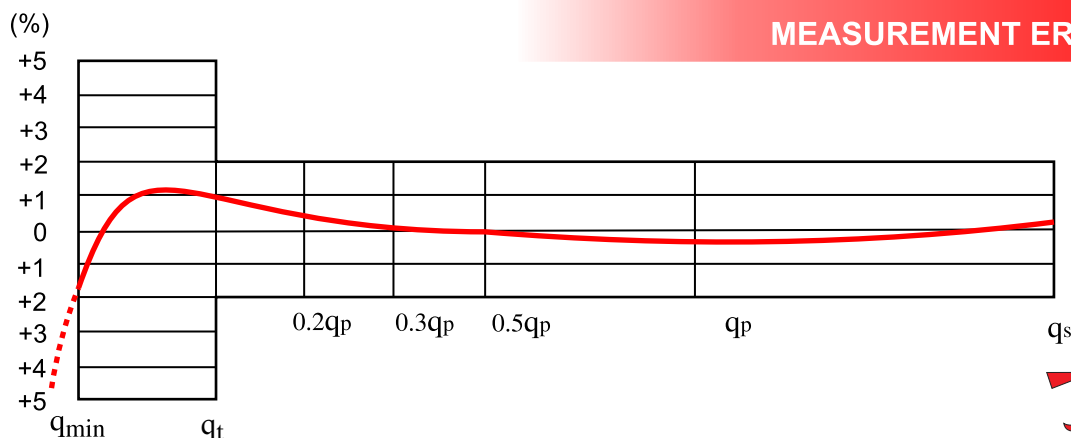
PERFORMANCE CHARACTERISTICS

Work conditions

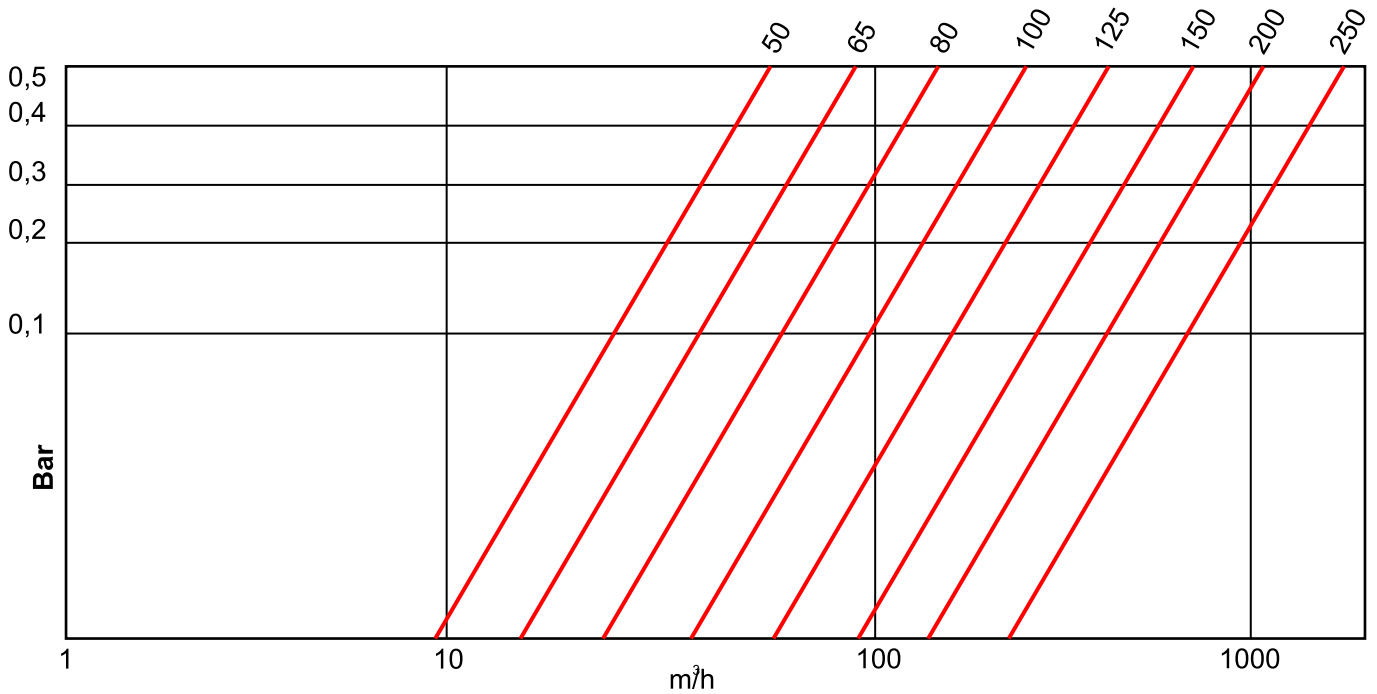
Water temperature $\leq 40^{\circ} \text{C}$
 Min. work pressure $\leq 1.0 \text{ MPa}$
 Max. work pressure $\leq 1.6 \text{ MPa}$

Diameter DN (mm)	Class	Qs	Qp	Qt	Qmin	Initial flow	Min. digits readout	Max. digits readout
		Max. flow	Nominal flow	Tranzition flow	Minimal flow			
m ³ /h						L/h	m ³	
50	B	30	15	3	0.45	150	0.01	9999999
65	B	50	25	5	0.75	170	0.01	9999999
80	B	80	40	8	1.2	280	0.01	9999999
100	B	120	60	12	1.8	400	0.01	9999999
125	B	200	100	20	3	800	0.01	9999999
150	B	300	150	30	4.5	1200	0.01	9999999
200	B	500	250	50	7.5	1500	0.01	9999999

MEASUREMENT ERROR CURVE

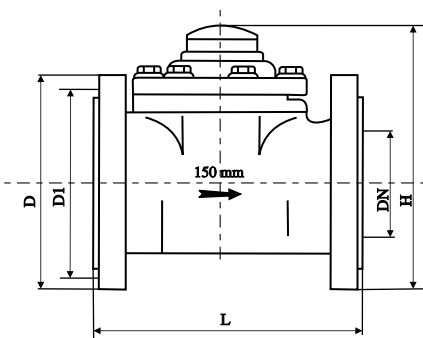


MINIMUM FLOW LOSS



DIMENSIONS AND WEIGHT

Diameter DN (mm)	L	B	H	Flange			Weight kg
	Lenght	Width	Height	D mm	D1 mm	Screw dimensions and quantity	
50	200	175	257	165	125	4 x M 16	12
65	200	185	267	185	145	4 x M 16	13
80	225	200	277	200	160	8 x M 16	15
100	250	220	287	220	180	8 x M 16	19
125	250	245	297	245	210	8 x M 16	22
150	300	285	375	285	240	8 x M 20	47
200	350	345	400	340	295	8 x M 20	48



A.D. INSA - MANUFACTURER OF MEASUREMENT INSTRUMENTS

Trščanska 21
11080 Belgrade - Zemun
Republic of Serbia

ISO 9001:2015



www.insa.rs



+ 381 (11) 3713 - 600

+ 381 (11) 3713 - 607

+ 381 (11) 2614 - 330

Fax:

E-mail:

office@insa.rs

info@insa.rs